

EFFICIENT DEHUMIDIFICATION

# THE RIGHT WAY TO DRY IN WATER DAMAGE RESTORATION





For every 100m<sup>3</sup> of a water-damaged area, use one Cotes CL26 dehumidifier for efficient drying

### THE RIGHT HUMIDITY MANAGEMENT

## AVOID THE HARMFUL EFFECTS OF EXCESS HUMIDITY

When dealing with water damage, immediate action is crucial to control and mitigate the impact of flood disasters caused by leaks, floods, or burst pipes.

Humidity issues in damage service include:

- Condensation and corrosion
- Microbial and bacterial growths
- High operating and maintenance costs

## WHY IS ADSORPTION DEHUMIDIFICATION THE RIGHT SOLUTION TO YOUR HUMIDITY PROBLEM?

Adsorption dehumidification technology is the most cost-effective and environmentally responsible way to tackle many of the common issues caused by unwanted humidity in your business processes. It is a relatively straightforward and inexpensive way to implement measures to combat the negative effects of humidity in the water restoration process.

Desiccant dehumidifiers offer a more reliable and versatile solution for water damage restoration efforts.

### How do you benefit?

- Effective across a wide range of temperatures and humidity levels
- Efficiently divide air streams using silica gel, even at -30°C
- Quick drying in challenging environments, reducing downtime and mould formation
- Capable of handling extreme conditions with precision humidity control
- Mobile designs for easy movement and flexibility
- Lower risk of equipment damage due to lower operating temperatures
- Low energy costs and reduced environmental impact

# THE RIGHT WAY TO DRY OUT WATER DAMAGE

A new and innovative solution guaranteed to help speed up the water restoration process after floods.

## COTES LIGHTWEIGHT DEHUMIDIFIER - CL26

Cotes Lightweight dehumidifier is an innovative adsorption dehumidifier specially designed for applications where transporting the unit and easy installation are needed.

The CL26 dehumidifier is effectively tailored for drying out water-damaged rooms up to 100m<sup>3</sup>, efficiently operating across diverse temperature ranges. This capability aligns with established industry standards, ensuring that restoration efforts are both effective and compliant.

### The advantages

- Quick to install with no need for drain or tray emptying
- Energy-efficient desiccant dehumidifier with low running costs
- Effectiveness and high dehumidification capacity at low temperatures
- Comply with HSE regulations for single-person carrying, only 10,8kg
- Designed for easy disassembly, maintenance, servicing, and refurbishment
- Durable and built to last



### Standard specifications overview

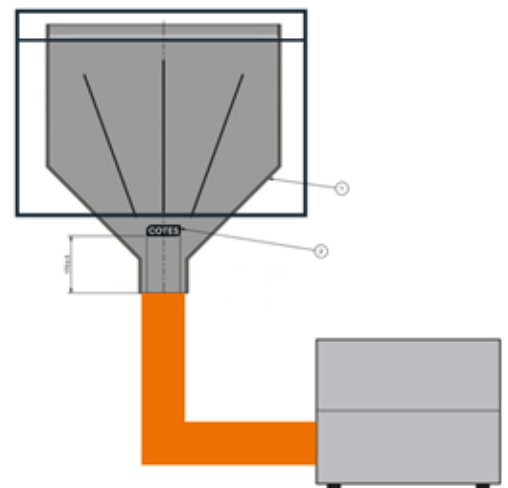
Moisture removal capacity:	0,8 kg/h
Connected load:	1,05 kW

## COTES WINDOW KIT - FOR EASY INSTALLATION

The Cotes Window Kit is a new added feature to the Cotes Mobile dehumidifiers. This innovative accessory, currently patent-applied, is designed to optimise the dehumidification process by facilitating the installation of the unit with no need for a drain or tray emptying. This solution ultimately optimises water damage restoration through the use of desiccant dehumidification.

The Cotes Window Kit can be installed in 30 seconds and connected to the CL26 in just 3 easy steps. This allows you to immediately start drying out affected areas.

For more information visit: [cotes.com/damage-services](https://cotes.com/damage-services)



# COTES

THE RIGHT WAY TO DRY



[cotes.com/damage-services](https://cotes.com/damage-services)